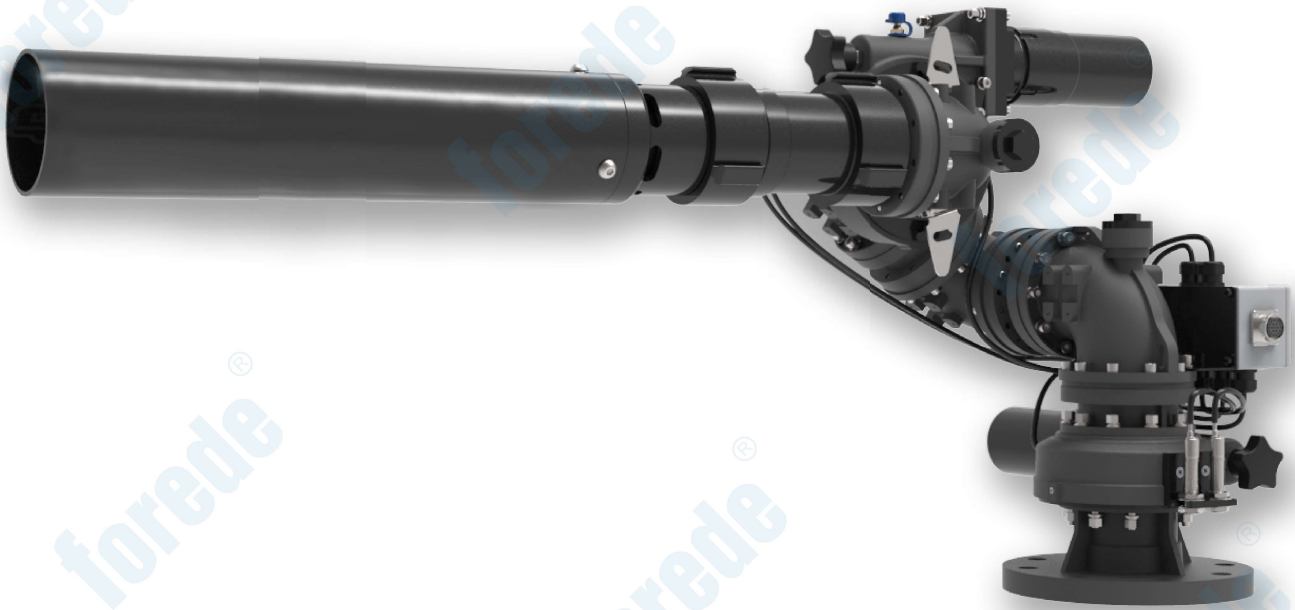

forede[®]



REMOTE CONTROLLED WATER/FOAM FIRE MONITOR

PLKD24-B

PLKD32-B

PLKD40-B

QUANZHOU FOREDE FIREFIGHTING EQUIPMENT CO.,LTD.

Website: www.forede.com | Email: sales1@forede.com

CATALOGUE

| | |
|-----------------------------|-----|
| Safety Instruction | - 1 |
| Monitor Structure | - 2 |
| Component List..... | - 3 |
| System Wiring | - 4 |
| Installation | - 5 |
| Operating Instruction | - 6 |
| Technical Parameter | - 8 |
| Overall Dimensions | - 9 |
| Operating Angle | - 9 |

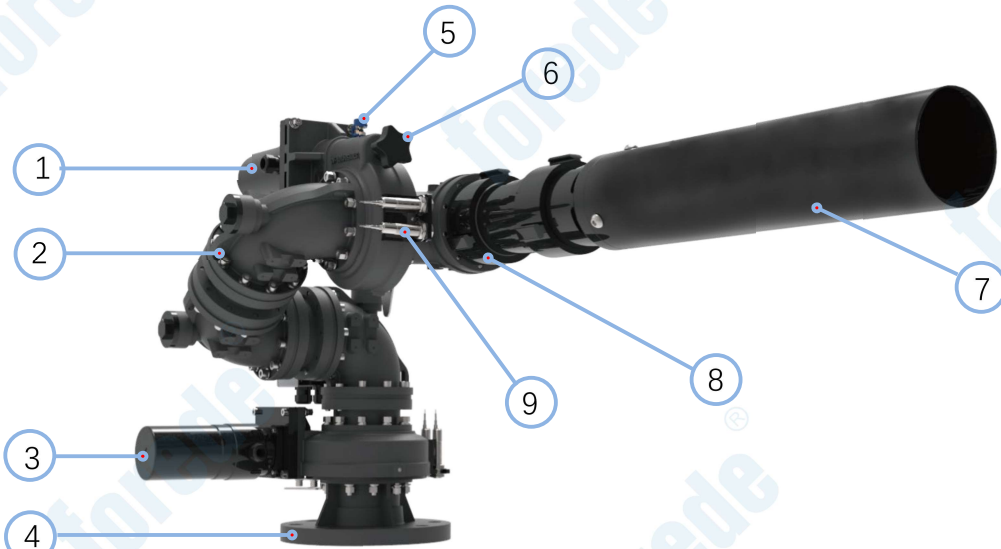
Safety Instruction

- All personnel who may be expected to operate this equipment must be thoroughly trained in its safe and proper use.
 - Read the operation manual carefully before installation.
 - Before flowing water from this device, check that all personnel (fire service and civilian) are clear of the stream path. Also confirm stream direction will not cause avoidable property damage.
 - Whenever possible, this equipment should be operated from remote location to avoid exposing personnel to dangerous fire conditions.
 - Don't switch off any devices of the system before confirmation of the fire safety of power-off.
 - The performance of the fire monitor (especially its hydraulic properties) and its water supply system should be fully understood.
 - Water valves should be as careful as possible to slowly open or close to avoid water hammer phenomenon.
 - Keep fingers and hands away from active parts.
 - Disconnect the power and close the manual gate valve before maintenance.
 - Any modification to the electrical equipment in this system will destroy its safety level and invalidate the warranty of its casing and all internal components.
 - System devices should be inspected regularly according to the indicated date.
- *The security information and other information in this specification are preceded by warnings and attention signs, please review the relevant content carefully.

| |
|---|
| ! WARNING |
| Follow the warning chart strictly, in case of injury or serious product malfunction. |
| ! ATTN |
| Read notes and operation correctly, or it may cause product failure or property loss. |

Note: The related items do not necessarily directly lead to personal injury. Instead, the relevant safety information is reminded to ensure that the installation and operator know as much as possible to prevent personal or property damage.



Structure



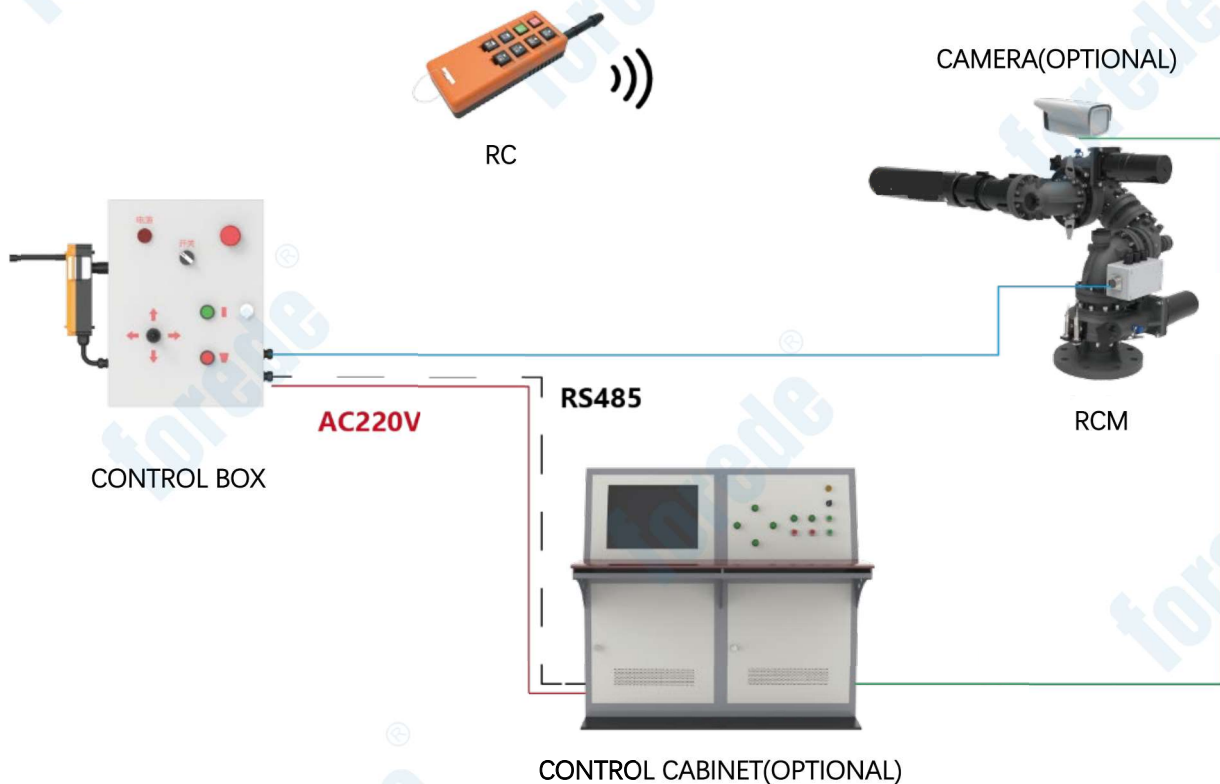
- | | |
|---|--------------------------------|
| 1. Gear Motor Elevation (Stainless Steel Cover) | 7. Water/Foam Nozzle |
| 2. 2.5" Waterway | 8. 2.5" NH Discharge |
| 3. Gear Motor Horizontal(Stainless Steel Cover) | 9. End Position Sensor |
| 4. 2.5" Inlet Flange | 10. End Position Bolts |
| 5. Grease Nipple | 11. Junction Box |
| 6. Elevation Manual Override | 12. Horizontal Manual Override |

Component List

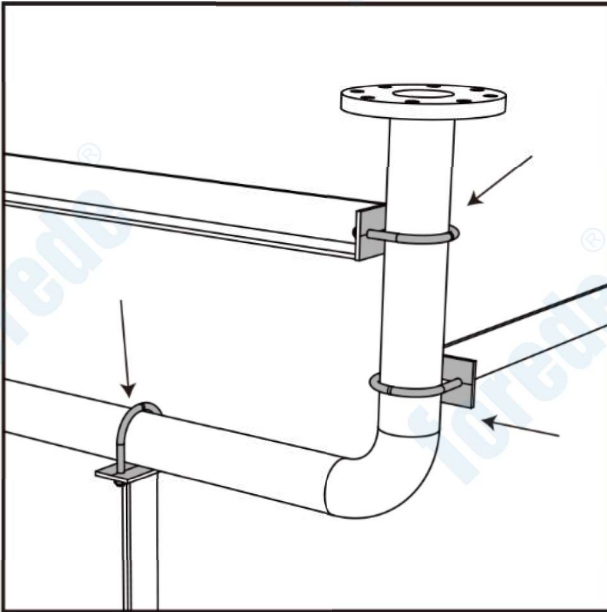
| NAME | FIRE MONITOR BODY | WATER/FOAM NOZZLE |
|-------------------|---|--|
| IMAGE |  |  |
| PART# | PSZC-65B | PTZC-PL-24LPS |
| BRIEF DESCRIPTION | 2.5 NH OULET | FLOW RATE OPTIONAL: PTZC-PL-32LPS; PTZC-PL-40LPS |
| | 24V DC ELECTRIC RC | |
| | ALUMINUM CASTING ANODIZED | SELF-INDUCTING NOZZLE OPTIONAL |
| | SS WORM, ALUMINUM GEAR | W. PRESSURE 0.8Mpa |
| | DN65 FLANGE (DN80 OPTIONAL) | 2.5NH |
| NAME | CONTROL BOX | RC TRANSMITTER |
| IMAGE |  |  |
| PART# | KZX-SX-01 | YK-SX-01 |
| BRIEF DESCRIPTION | STANDARD FOR ENGINEERING | RC RANGE: Max. 150m |
| | IP65 STANDARD SEALED | IP67 STANDARD SEALED |

| NAME | ELECTRIC VALVE(OPTIONAL) | CONTROL CABINET(OPTIONAL) |
|-------------------|---|--|
| IMAGE |  |  |
| PART# | DDF-SX | JZKZ-SX |
| BRIEF DESCRIPTION | 24V DC VALVE | STANDARD |
| | DN65 FLANGE | REMOTE CONTROL |
| | POWER RATING 15W | CAMERA, VIDEO PLAYBACK |

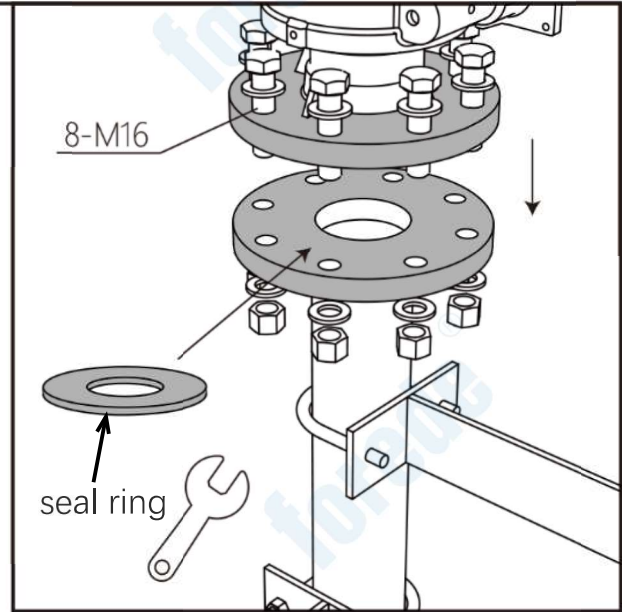
System Wiring



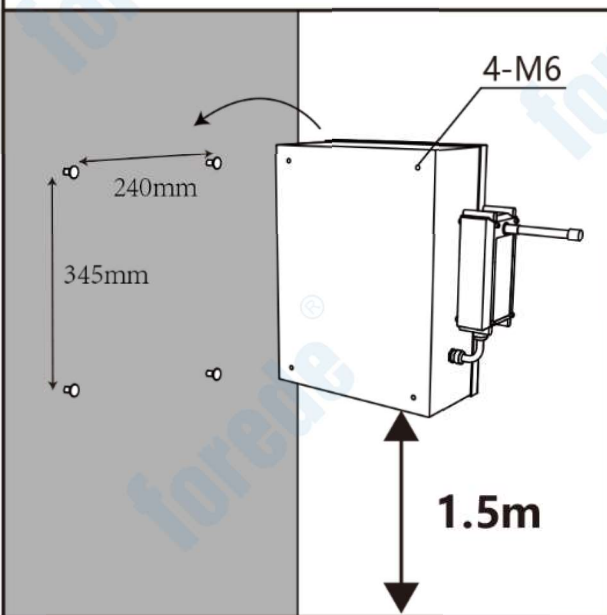
Installation



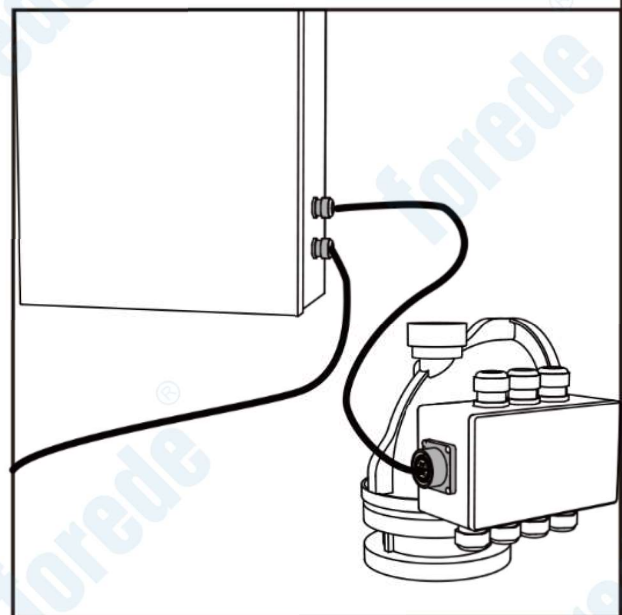
1. Install fixed support according to actual situation.



2. Mount Monitor onto base



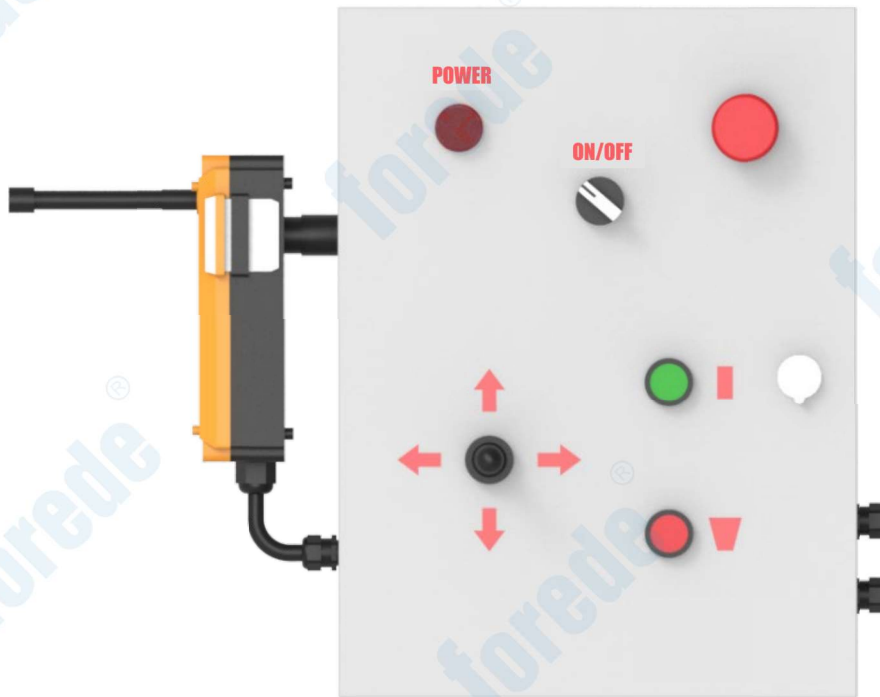
3. Install Control Box on wall where could see Fire monitor clearly.



4. Confirm Connections

Operating Instruction

FOREDE PLKD24/32/40-B Monitors shall be controlled by RC and control box. Details as below:



- Control box operation details as below:

| | Brief Description |
|-----------|---|
| Power | Lights on for power on, normal working state; lights off for power off. |
| On/off | Turn on (left), turn off (right). |
| Stop | Stop button, press for emergency power cut off, re-rotating for reset. |
| Joystick | Manually control Fire monitor at four directions. |
| Jet | Not applicable to this model. |
| Fog | Not applicable to this model. |
| Valve on | Turn on electric valve (optional). |
| Valve off | Turn off electric valve (optional). |



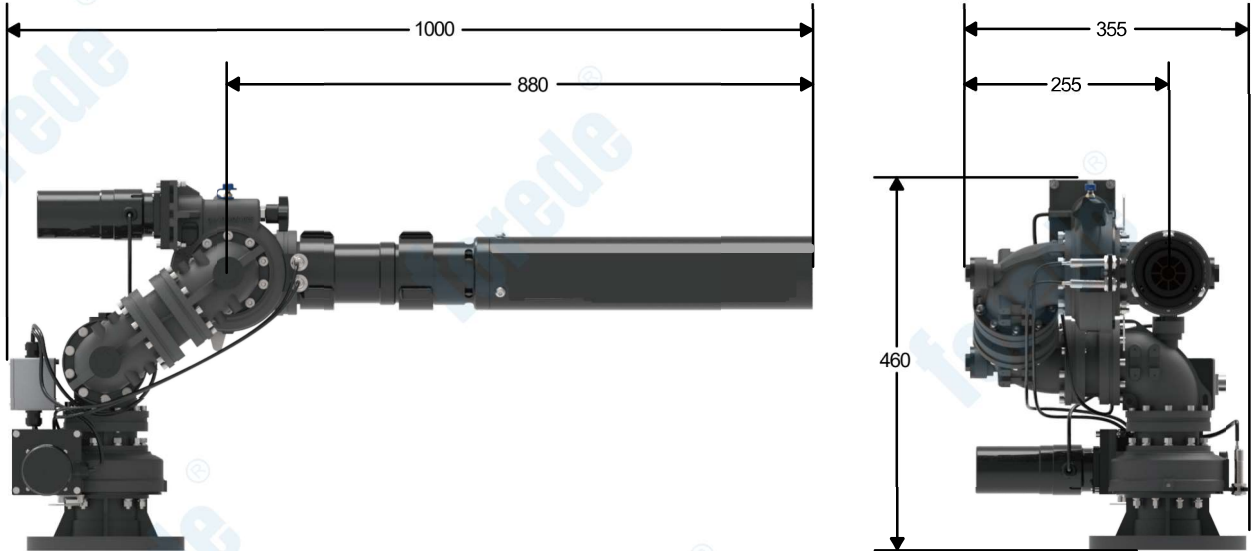
- RC Transmitter operation details as below:

| | Brief Description |
|----------------|--|
| Stop | Stop button, press for emergency power cut off, re-rotating for reset. |
| On/off | Turn on (left), turn off (right). |
| Up | Turn up the nozzle elevation. |
| Down | Turn down the nozzle elevation. |
| Left | Turn left the monitor horizontal. |
| Right | Turn right the monitor horizontal. |
| Jet | Not applicable to this model. |
| Fog | Not applicable to this model. |
| Valve on | Turn on electric valve (optional). |
| Valve off | Turn on electric valve (optional). |
| Magnetic Block | White magnetic block, disconnect the remote control after removing. |

Technical parameter

| Model | PLKD24-B | PLKD32-B | PLKD40-B |
|--------------------------------|---|----------|----------|
| W.Pressure | 0.8MPa | 0.8MPa | 0.8MPa |
| Flow rate | 24L | 32L | 40L |
| Water jet range | ≥45m | ≥55m | ≥65m |
| Foam Jet range | ≥40m | ≥48m | ≥55m |
| Foaming expansion | ≥ 6 times | | |
| 25% Drainage time min(20°C) | ≥2.5 | | |
| Horizontal angle | 0~360° | | |
| Elevation angle | -90°~+90° (customized) | | |
| Horizontal rev | 24°/S | | |
| Elevation rev | 10°/S | | |
| Power supply | AC220V | | |
| Power dissipation | Standby15W; Max. 115W | | |
| Material | Monitor body & Nozzle: Aluminum alloy hard anodized | | |
| Net weight | 18.5KG | | |
| Inlet | DN65 Flange | | |
| Installation | Mounted | | |
| Standard | GB 19156-2003; GB 19157-2003 | | |

Overall Dimensions



Operating Angle

